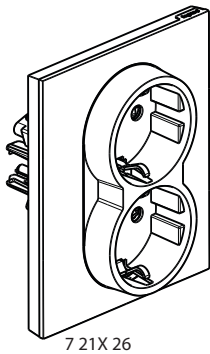
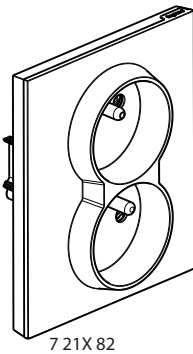


Suno™
Double socket outlets - German standard

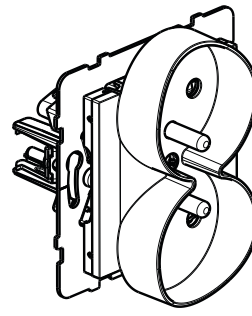
Cat. No(s): 7 21X 26/82/90/91



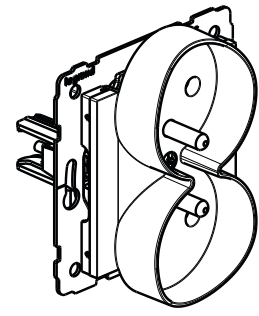
7 21X 26



7 21X 82



7 21X 90



7 21X 91

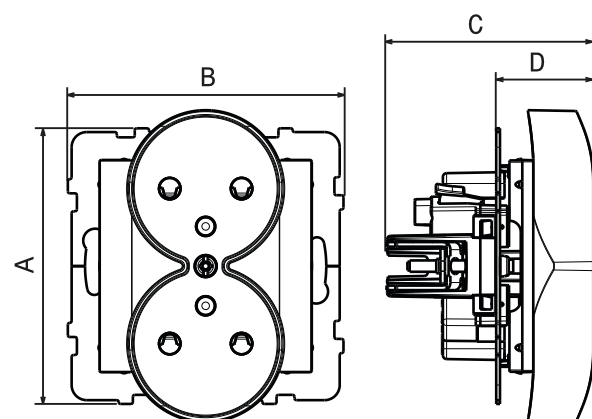
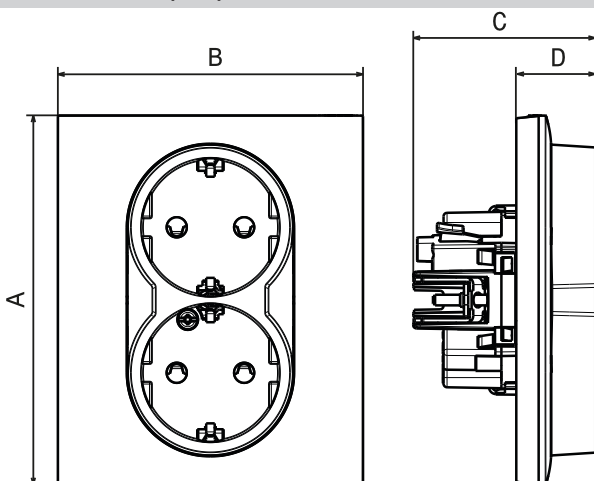
1. USE

Double socket outlets 16 A - 250 V~ with shutters.
 Mechanisms supplied with support and protection cover
 Installation in 1-gang flush-mounting or surface-mounting box, allows
 replacing 1 socket by 2 sockets without changing mounting box.
 To be equipped with plates

2. RANGE

Description	White	Ivory	Aluminum	Black
2X2P+E SOCKET SCHUKO STANDARD AUTO TERMINALS SHUTTERED	7 211 26	7 212 26	7 213 26	7 214 26
2X2P+E SOCKET FRENCH STANDARD AUTO TERMINALS SHUTTERED (SK)	7 211 82		7 213 82	7 214 82
2X2P+E SOCKET FRENCH STANDARD AUTO TERMINALS SHUTTERED (SPECIFIC POLISH)	7 211 90		7 213 90	7 214 90
2X2P+E SOCKET FRENCH STANDARD SCREW TERMINALS (SPECIFIC POLISH)	7 211 91		7 213 91	7 214 91

3. DIMENSIONS (mm)



References	A	B	C	D
7 21X 26	104	86	51,3	
7 21X 82	104	86	43,25	
7 21X 90	82,5	72,9	54,7	
7 21X 91	82,5	71	53,8	

4. CONNECTION

Type of terminals:

Auto terminals (7 21X 26, 7 21X 82, 7 21X 90)

Stripping length:

13 mm

Screw terminal (7 21X 91)

Tightening torque:

0,8 Nm

Stripping length:

11 mm

Capacity:

2 x 2.5 mm²

Flexible or rigid cables compatible

5. TECHNICAL CHARACTERISTICS

■ 5.1 Mechanical characteristics

Protection against solid bodies and liquids IP20

Protection against impact: IK 04

■ 5.2 Material characteristics

Polygloss appearance

Colours: - White RAL 903

- Ivory RAL 113

- Painted aluminium (C010B)

- Painted black (C014A)

Material: - Plate ABS

- Socket cover plate: Polycarbonate

- Halogen free

- UV resistant

Material of the support:

- Metal (7 21X 26, 7 21X 90, 7 21X 91)

Material of the support:

- PC (7 21X 82)

Self-extinguishing:

+ 850° C / 30 s for insulating parts holding live parts in place

+ 650° C / 30 s for other parts made of insulating materials.

■ 5.3 Electrical characteristics

Voltage: 250 V~

Current: 16 A

Frequency: 50/60 Hz

■ 5.4 Climatic characteristics

Storage and usage temperature:

- 5 °C to + 35 °C (7 21X 26, 7 21X 82)

Storage and usage temperature:

- 10 °C to + 70 °C (7 21X 90)

Storage and usage temperature:

- 25 °C to + 40 °C (7 21X 91)

6. MAINTENANCE

Surface cleaning with a cloth.

Do not use:

Acetone, tar remover, trichloroethylene.

Maintenance with the following products:

Hexane (EN 60669-1), Methylated spirit, Soapy water, Diluted ammonia, pure bleach diluted to 10%, Window-cleaning products, pre-impregnated wipes.

Caution: A preliminary test should be carried out if other specific cleaning products are to be used.

7. STANDARDS AND APPROVALS

Compliance with standards of installation and manufacturing.

Refer to e-catalogue.