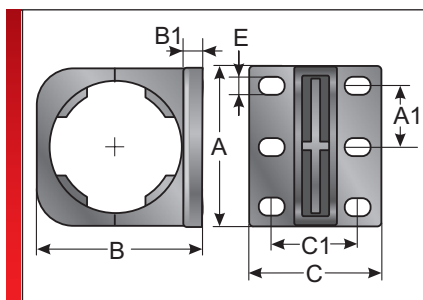
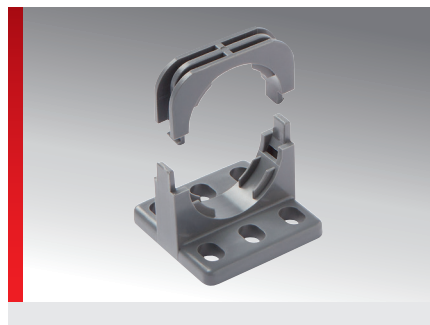


Type USH



USH 11 / USH 16 / USH 21



Conduit holder

PRODUCT INFORMATION

The USH holder consists of an upper and a lower part made of specially modified polycarbonate. The material is halogen, phosphor and cadmium-free. The holder is used as a quick and easy connection between control cabinet and door.

The USH holder features the following ad-

vantages:

- Various fastening possibilities
- Protective conduits can still be rotated in the holder
- Pre-assembly of lower part possible

SPECIFICATIONS

- Polycarbonate
- 30 – 100 °C
- V2 self-extinguishing



Type	Order No.	Colour	Suitable for Murrflex	A mm	B mm	C mm	E mm	A1 mm	B1 mm	C1 mm	Pack qty.
Suitable for Murrflex EW and EWX											
USH 11	83641019	Black	M16/P11	38.00	39.50	38.00	5.60	12.90	5.00	22.80	50
USH 16	83641020	Black	M20/P16(S)	38.00	39.40	38.00	5.70	12.90	5.00	22.80	50
USH 21	83641022	Black	M25/P21(S)	38.00	39.25	38.00	5.60	12.90	5.00	22.80	50
USH 29	83641024	Black	M32/P29(S)	46.35	47.65	38.20	5.30	17.60	4.90	25.75	50
USH 36	83641026	Black	M40/P36(S)	52.45	59.10	60.40	5.60	20.00	6.00	48.00	50
USH 48	83641028	Black	M50/P48(S)	76.20	77.20	59.70	5.60	27.70	8.10	47.10	50
USH 11	83641009	Grey	M16/P11	38.00	39.50	38.00	5.60	12.90	5.00	22.80	50
USH 16	83641010	Grey	M20/P16(S)	38.00	39.40	38.00	5.70	12.90	5.00	22.80	50
USH 21	83641012	Grey	M25/P21(S)	38.00	39.25	38.00	5.60	12.90	5.00	22.80	50
USH 29	83641014	Grey	M32/P29(S)	46.35	47.65	38.20	5.30	17.60	4.90	25.75	50
USH 36	83641016	Grey	M40/P36(S)	52.45	59.10	60.40	5.60	20.00	6.00	48.00	50
USH 48	83641018	Grey	M50/P48(S)	76.20	77.20	59.70	5.60	27.70	8.10	47.10	50

MATERIAL PROPERTIES

Polycarbonate

THERMAL PROPERTIES

Temperature / temperature range
-30 – 100 °C

FIRE BEHAVIOUR

Fire classification
V2 self-extinguishing

Type USH

APPROVALS AND OPERATING PERMITS



GL approval

TECHNICAL INFORMATION



Halogen-free

CONFORMITY



RoHS (EC Directive 202/95/EC)

GENERAL INFORMATION



Made in Germany

All details given in our sales material prospectuses and catalogues as well as the information available online are based on our current knowledge of the products described.

The electronic data and files made available by Murrplastik, particularly CAD files are based on our current knowledge of the product described.

A legally binding assurance of certain properties or the suitability for a certain purpose can not be determined from this information.

All information with respect to the chemical and physical properties of Murrplastik products as well as application advice given verbally, in writing or by tests, is given to the best of our knowledge.

This does not free the purchaser of carrying out their own inspections and tests in order to determine the suitability of a product for a specific purpose.

Murrplastik accepts no responsibility for the available information being up-to-date, correct or complete. Neither do we accept responsibility for the quality of this information.

Murrplastik accepts no liability for damage caused as a result of using our products.

Murrplastik reserves the right to make technical changes and improvements through constant further development of products and services.

Our General Terms and Conditions apply.