

Motion detector

IS 180-2

white
EAN 4007841 603212
Article number 603212



infrared sensor
180°



max. 12 m

1000 W

1000 W max. (LED-ready)



IP54



2 - 2000 lux



5 sec - 15 min



Ideal 2 m



energy saving

3 years

manufacturer's
warranty
steinel.de/
garantie3y



CE

Function description

Homeowner's darling. Infrared wall sensor IS 180-2, for indoors and out, ideal for expansive building fronts and driveways, corner wall bracket for corner mounting available as accessory, 180° angle of coverage, reach can be set up to 12 m or up to 5 m, selectable time and twilight threshold, detection zone can be customised with shrouds.

Technical specifications

Dimensions (L x W x H)	56 x 76 x 120 mm
Manufacturer's Warranty	3 years
Settings via	Potentiometers
With remote control	No
Version	white
PU1, EAN	4007841603212
Type	Motion detectors
Application, place	Indoors, Outdoors
Application, room	outdoors, front door, all round the building, terrace / balcony, courtyard & driveway
Colour	white
Colour, RAL	9010
Includes corner wall mount	No
Installation site	wall, corner
Installation	Surface wiring, Wall, corner
IP-rating	IP54

LED lamps < 2 W	16 W
LED lamps > 2 W < 8 W	64 W
LED lamps > 8 W	64 W
Capacitive load in µF	132 µF
Sensor Technology	Passive infrared
Mounting height	1,80 – 4,00 m
Mounting height max.	4,00 m
Optimum mounting height	2 m
Detection angle	180 °
Angle of aperture	90 °
Sneak-by guard	Yes
Capability of masking out individual segments	Yes
Electronic scalability	No
Mechanical scalability	No
Reach, radial	r = 1.5 m (4 m ²) / r = 3 m (14 m ²)
Reach, tangential	r = 5 m (39 m ²) / r = 12 m (226 m ²)

<https://www.steinel.de>

Subject to technical modifications

10.2022 Page 1 from 3

Motion detector

IS 180-2

white
EAN 4007841 603212
Article number 603212



Technical specifications

Protection class	II
Ambient temperature	-20 – 50 °C
Material	Plastic
Mains power supply	230 V / 50 Hz
Switching output 1, resistive	1000 W
Switching output 1, number of LEDs / fluorescent lamps	6 pcs.
Fluorescent lamps, electronic ballast	1000 W
Fluorescent lamps, uncorrected	500 VA
Fluorescent lamps, series-corrected	406 VA
Fluorescent lamps, parallel-corrected	406 VA
Switching output 1, low-voltage halogen lamps	1000 VA

Switching zones	504 switching zones
Twilight setting	2 – 2000 lx
Time setting	5 s – 15 Min.
Basic light level function	No
Main light adjustable	No
Twilight setting TEACH	No
Constant-lighting control	No
Interconnection	Yes
Type of interconnection	Master/master
Interconnection via	Cable

Accessories

EAN 4007841 085148

Corner wall mount for IS 180-2, IS 2180-2 and IS 2180 ECO

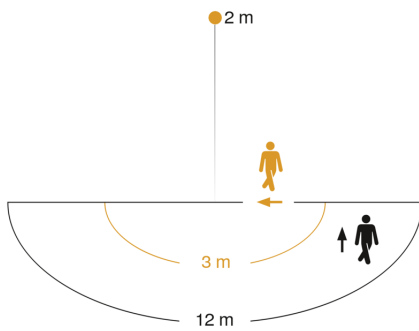
Motion detector

IS 180-2

white
EAN 4007841 603212
Article number 603212

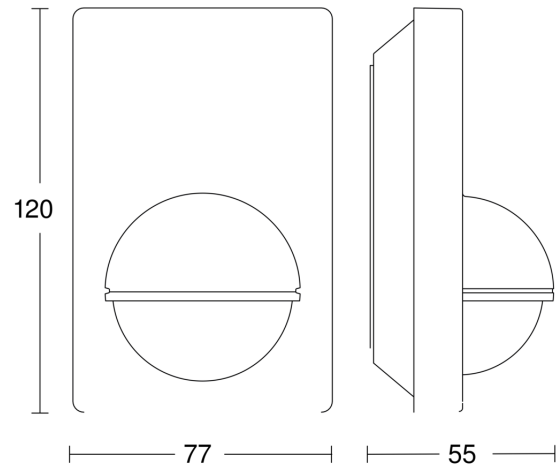


Detection Zone

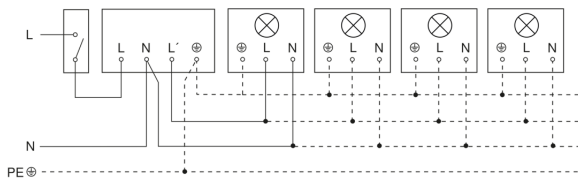


Mögliche Montagehöhe: 1,80 m – 4,00 m
Orange: radial
Schwarz: tangential

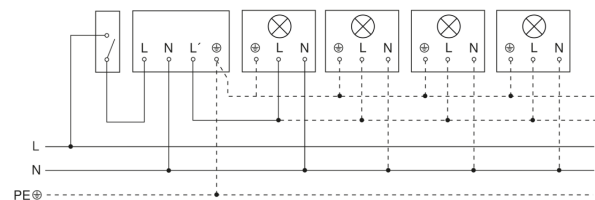
Dimension Drawing



Light without neutral conductor



Light with neutral conductor



Connection using two-circuit switch for manual and automatic operation



Circuit diagram Connection via a changeover switch for continuous and automatic operation

