

Model No.: **GP14G**

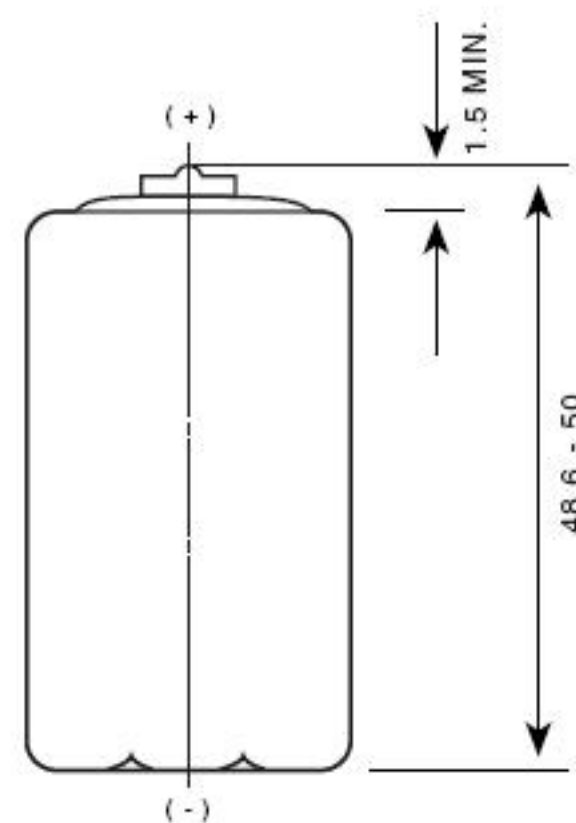
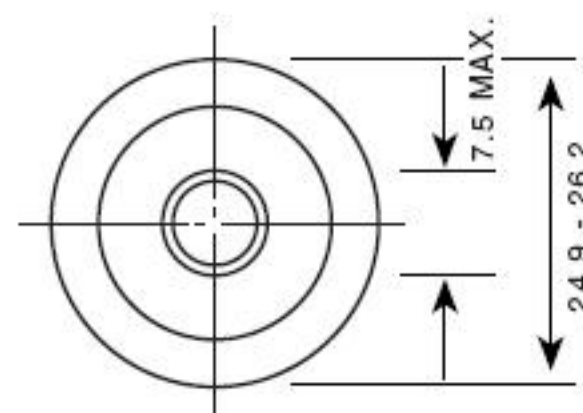
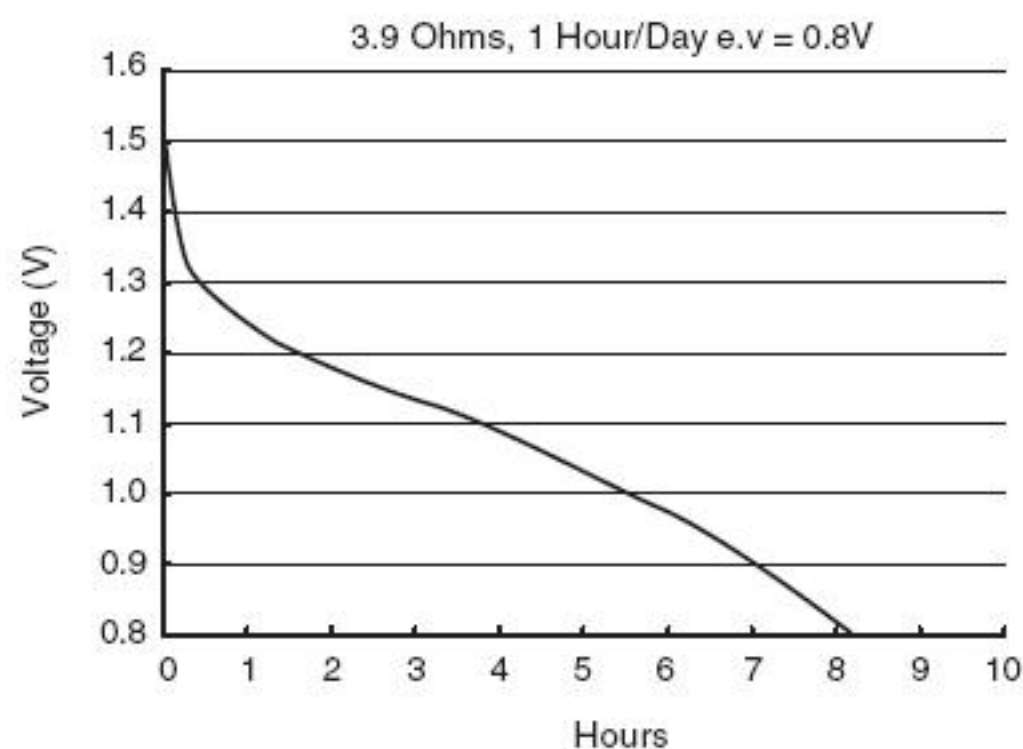
NO MERCURY ADDED	
Description	: Mercury Free Extra Heavy Duty Battery, C Size
Chemical System	: Zinc Chloride
Nominal Voltage	: 1.5 Volts
Nominal Dimensions	: $\phi 26.2$ mm x 50 mm
Terminals	: Protruded positive (+) and flat negative (-) contacts
Jacket	: Metal jacket with PVC insulation
Applications	: All electronic devices, e.g. transistor radios, cassette recorders, toys, alarm clocks, lighting, torches & portable fans.
Average Weight	: 47.8g

Cross References:

GP	JIS	IEC	Eveready
14G	R14P	R14P	1235

Typical Service Life:

Discharge Resistance	Discharge Condition	End Point Voltage	Service Life
3.9 Ohms	1 Hr/ Day	0.8V	8.2 Hrs



Unit : mm

The information (subject to change without prior notice) contained in this document is for reference only and should not be used as a basis for product guarantee or warranty. For applications other than those described here, please consult your nearest GP Sales and Marketing Office or Distributors.

www.gpbatteries.com

Manufacturer reserves the right to alter or amend the design, model and specification without prior notice.
Copyright © GPI International Ltd. - All rights reserved

Member
Gold Peak Group

0511011092