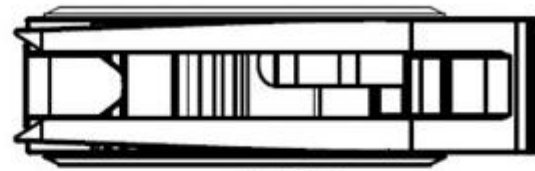
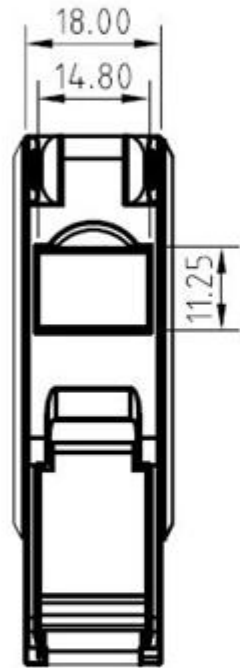


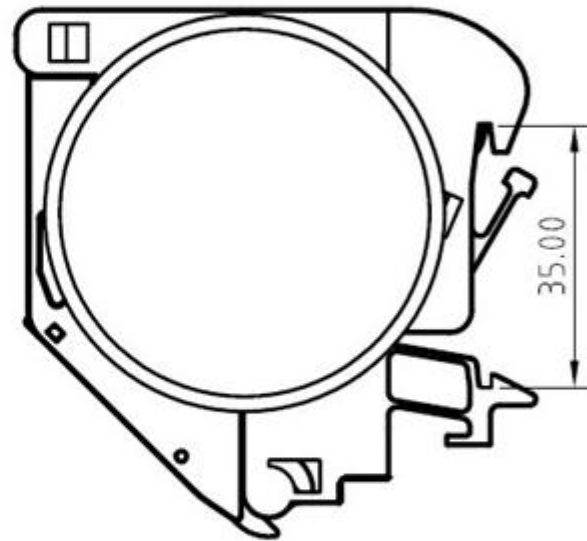
ASSEMBLY DIMENSION



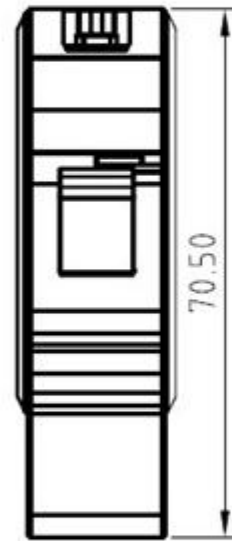
TOP



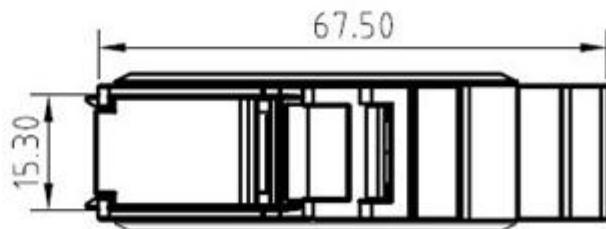
LEFT SIDE



FRONT



REAR



BOTTOM

ISOMETRIC VIEW

